

Technical sheet :

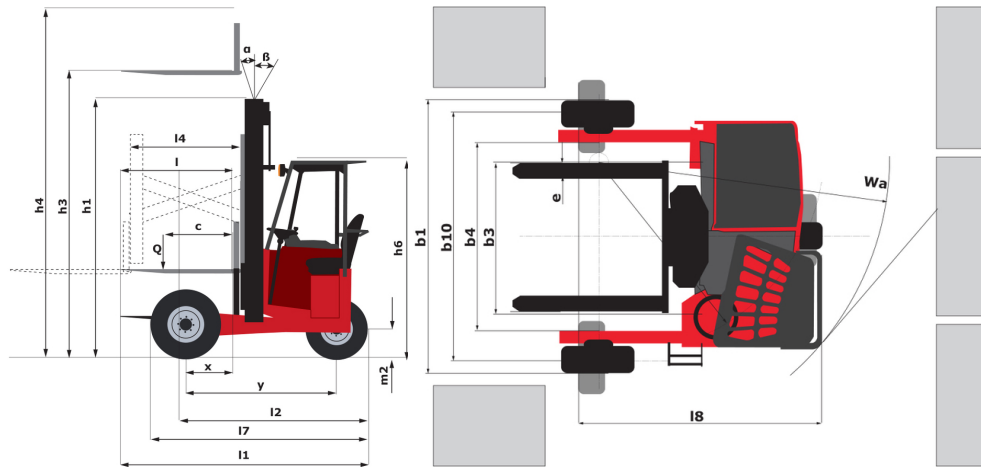
# **TMM 25 4W ST5**

---



	Technical characteristics		Metric
1.1	Manufacturer		MANITOU
1.2	Model Name		TMM 25 4W ST5
1.2.1	Reach out equipment		Pantograph
1.3	Power source		Diesel
1.4	Operator type		Seated
1.5	Max. capacity	Q	2500 kg
1.6	Load centre of gravity	c	500 mm
1.8	Load distance, centre of drive axle to fork	x	500 mm
1.9	Wheelbase	y	1598 mm
	<b>Weight</b>		
2.1	Service weight		2500 kg
2.2	Weight on front axle (laden) / rear axle (laden)		3715 kg / 1285 kg
2.3	Weight on front axle (Unladen) / rear axle (Unladen)		1215 kg / 1285 kg
	<b>Wheels</b>		
3.1	Tyres type		Pneumatic
3.2	Dimensions of front wheels		27X10-12 IC30
3.3	Dimensions of rear wheels		27X10-12 IC30
3.5	Number of front wheels / rear wheels		2 / 1
3.5.2	Drive wheels (front / rear)		2 / 1
3.6	Front wheel gauge	b10	2143 mm
	<b>Dimensions</b>		
4.7	Height of overhead guard (cabin)	h6	2120 mm
4.8	Seat height/stand height	h7	1070 mm
4.19	Overall length	l1	2638 mm
4.21	Overall width	b1	2398 mm
4.22	Forks section / width / length	s / e / l	40 mm x 122 mm / 1200 mm
4.23	Fork carriage ISO 2328 (class/form) A/B		2A
4.24	Fork carriage width	b3	1260 mm
4.25	Distance between support arms	b5	1165 mm
4.26	Distance between wheel arms/loading surfaces	b4	1492 mm
4.28	Maximum horizontal extension at COG 600	l4	1000 mm
4.28	Max. outreach		1005 mm
4.32	Ground clearance at centre of wheelbase	m2	272 mm
4.37	Overall length (without forks)	l7	1438 mm
4.38	Length across wheel arms (4W position)	l8	2320 mm
4.34	Aisle width for 800 x 1200 pallet lengthways	Ast	3363 mm
4.35	Turning radius	Wa	2463 mm
4.36	Internal turning radius (over tyres)	b13	672 mm
	<b>Performances</b>		
5.1	Travel speed (laden / unladen)		10.60 km/h / 10.70 km/h
5.2	Lifting speed (laden / unladen)		0.26 m/s / 0.24 m/s
5.3	Lowering speed (laden / unladen)		0.38 m/s / 0.24 m/s
5.7	Gradeability (laden / unladen)		47 % / 48 %
5.10	Service brake		Hydraulic brakes by loss of pressure
5.9	Acceleration time (laden / unladen)		4.10 s / 2.60 s
5.11	Transmission type		Hydrostatic
	<b>Engine</b>		
7.1	Engine brand / norm		Kubota - Stage V
7.2	Engine power according to ISO 1585		18.50 kW
7.3	Rated speed		3000 rpm
7.4	Number of cylinders / Capacity of cylinders		3 - 1123 cm <sup>3</sup>
8.1	Type of drive control		Cable
	<b>Miscellaneous</b>		
8.2	Working hydraulic pressure for attachments		190 Bar
8.3	Oil flow rate for attachments		43 l/min
8.4	Sound level at the driver's ear according to DIN 12 053		84 dB

## TMM 25 4W ST5 - Dimensional drawing



## Characteristics of masts and residual capacities

		Full Visibility Duplex				
		FVD 30	FVD 36	FVD 39		
Capacity (Maximum Height & LC =)	Simple Reach	h1 - Height mast lowered *	mm	2392	2742	2892
		h3 - Lifting Height	mm	3000	3600	3900
		h4 - Height mast extended *	mm	4495	5095	5395
		Pantograph reach in	kg	2500	2500	2500
		Pantograph reach out with stabilizers	kg	2050	2050	2050
		Pantograph reach out without stabilizers	kg	1150	1100	1000
	Double Reach	Telescopic forks reach in	kg	2500	2500	2500
		Telescopic Forks reach out with stabilizers	kg	1350	1300	1300
		Telescopic Forks reach out without stabilizers	kg	1200	1150	1100
		Pantograph & TF reach in	kg	2500	2500	2500
		Pantograph & TF reach out with stabilizers	kg	1100	1100	1100
		Pantograph & TF reach out without stabilizers	kg	550	550	550



Siège Social

430 rue de l'Aubinière - 44150 Ancenis Cedex - France

Tel: +33(0)2 40 09 10 11 - Fax: +33 (0)2 40 09 10 97

[www.manitou.com](http://www.manitou.com)



This brochure describes versions and configuration options for Manitou products which may be fitted with different equipment. The equipment described in this brochure may be standard, optional or not available depending on version. Manitou reserves the right to change the specifications shown and described at any time and without prior warning. The manufacturer is not liable for the specifications given. For more information, contact your Manitou dealer. Non-contractual document. Product descriptions may differ from actual products. List of specifications is not comprehensive. The logos and visual identity of the company are the property of Manitou and may not be used without authorisation. All rights reserved. The photos and diagrams contained in this brochure are provided for information only.

MANITOU BF SA - Limited company with board of directors - Share capital: 39,668,399 euros - 857 802 508 RCS Nantes