

Technical sheet :

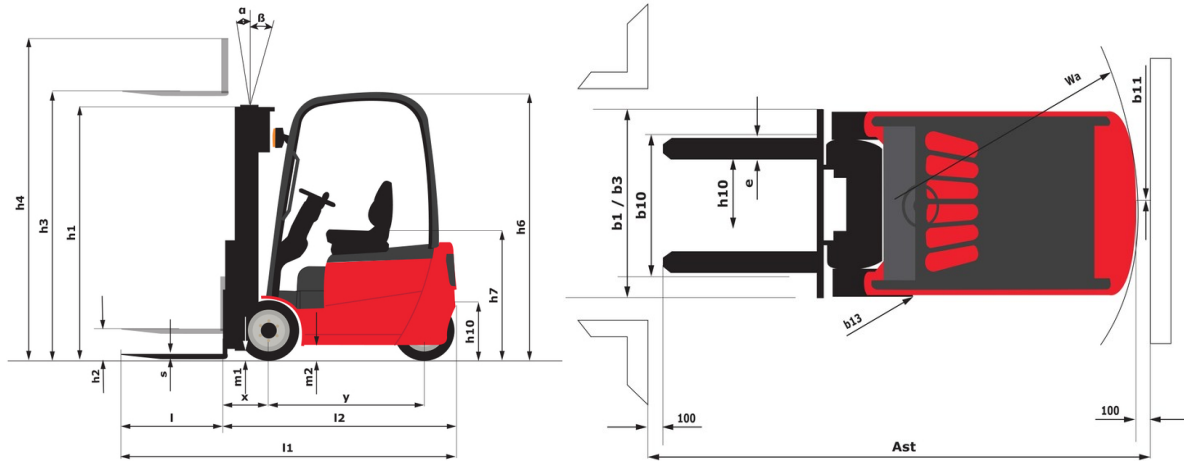
# **ME 440**

---



Technical characteristics			Metric
1.1	Manufacturer		Manitou
1.2	Model Name		ME 440
1.3	Power source		Electric
1.4	Operator type		Seated
1.5	Max. capacity	Q	4000 kg
1.6	Load centre of gravity	c	500 mm
1.8	Load distance, centre of drive axle to fork	x	550 mm
1.9	Wheelbase	y	2000 mm
Weight			
2.1	Service weight		6600 kg
2.2	Weight on front axle (laden) / rear axle (laden)		9440 kg / 1160 kg
2.3	Weight on front axle (Unladen) / rear axle (Unladen)		3960 kg / 2640 kg
Wheels			
3.1	Tyres type		PPS
3.2	Dimensions of front wheels		250/15
3.3	Dimensions of rear wheels		7.00-12
3.5	Number of front wheels / rear wheels		2 / 2
3.5.2	Number of drive wheels		2
3.6	Front wheel gauge	b10	1130 mm
3.7	Rear wheel gauge	b11	1100 mm
Dimensions			
4.1	Tilt of Mast Forward (deg) / Backward (deg)	$\alpha / \beta$	6 / 12
4.12	Height of towing bar (coupling height)	h10	460 mm
4.19	Overall length	l1	4165 mm
4.20	Length to face of forks	l2	3015 mm
4.21	Overall width	b1	1380 mm
4.22	Forks section / width / length	s / e / l	122 mm x 1150 mm / 50 mm
4.23	Fork carriage ISO 2328 (class/form) A/B		3A
4.24	Fork carriage width	b3	1100 mm
4.31	Ground clearance below mast	m1	110 mm
4.32	Ground clearance at centre of wheelbase	m2	219 mm
4.33	Aisle Width for pallets 1000 x 1200 crossways	Ast	4470 mm
4.34	Aisle width for 800 x 1200 pallet lengthways	Ast	4670 mm
4.35	Turning radius	Wa	2720 mm
4.36	Internal turning radius (over tyres)	b13	805 mm
4.7	Height of overhead guard (cabin)	h6	2300 mm
4.8	Seat height/stand height	h7	1235 mm
Performances			
5.1	Travel speed (laden / unladen)		13.50 km/h / 14 km/h
5.2	Lifting speed (laden / unladen)		0.26 m/s / 0.40 m/s
5.3	Lowering speed (laden / unladen)		0.50 m/s / 0.30 m/s
5.5	Drawbar pull (Laden)		2400 daN
5.7	Gradeability (laden / unladen)		15 % / 16 %
5.10	Service brake		Hydraulic
Engine			
6.1	Drive motor rating S2 60 min		16.60 kW
6.2	Lift motor rating at S3 15%		25.40 kW
6.3	Battery according to DIN 43531/35/36 A, B, C		DIN43536 A
6.4	Battery / Batteries capacity		80 V / 700 Ah
6.6	Energy consumption		12.50 kW/h
Miscellaneous			
8.1	Type of drive control		Electronic
8.2	Working hydraulic pressure for attachments		210 Bar
8.3	Oil flow rate for attachments		65 l/min
8.4	Measured/guaranteed mean noise level at the ear of the operator		< 78 dB

## ME 440 - Dimensional drawing



## Characteristics of masts and residual capacities

Full Visibility Duplex		FVD 30	FVD 33	FVD 35	FVD 40	FVD 43	FVD 45	FVD 48	FVD 50
h2 - Free lift	mm	150	150	150	150	150	150	150	150
h1 - Height mast lowered *	mm	2185	2335	2435	2735	2900	3010	3175	3285
h3 - Lifting Height	mm	3000	3300	3500	4000	4300	4500	4800	5000
h4 - Height mast extended *	mm	3770	4070	4270	4770	5070	5270	5570	5770
$\alpha / \beta$ - Mast inclination (front / rear)	°	6 / 12	6 / 12	6 / 12	6 / 12	6 / 6	6 / 6	6 / 6	6 / 6
Residual capacity without attachment (Industrial load chart)	kg	4000	4000	4000	4000	4000	4000	4000	4000
Residual capacity with integrated side shift (Industrial load chart)	kg	4000	4000	4000	4000	4000	4000	4000	4000
Residual capacity with hooked-on side shift (Industrial load chart)	kg	3800	3800	3800	3800	3800	3800	3800	3800
Height at max capacity	mm	3000	3300	3500	4000	4300	4500	4800	5000
Height at max capacity with integrated sideshift	mm	3000	3300	3500	4000	4300	4500	4800	5000

Free Lift Duplex		FLD 30	FLD 33	FLD 40
h2 - Free lift	mm	1365	1515	1865
h1 - Height mast lowered *	mm	2166	2316	2666
h3 - Lifting Height	mm	3000	3300	4000
h4 - Height mast extended *	mm	3805	4105	4805
$\alpha / \beta$ - Mast inclination (front / rear)	°	6 / 12	6 / 12	6 / 12
Residual capacity without attachment (Industrial load chart)	kg	4000	4000	4000
Residual capacity with integrated side shift (Industrial load chart)	kg	4000	4000	4000
Residual capacity with hooked-on side shift (Industrial load chart)	kg	3800	3800	3800
Height at max capacity	mm	3000	3300	4000
Height at max capacity with integrated sideshift	mm	3000	3300	4000

Free Lift Triplex		FLT 43	FLT 48	FLT 50	FLT 55	FLT 60
h2 - Free lift	mm	1218	1478	1548	1710	1928
h1 - Height mast lowered *	mm	2020	2280	2350	2515	2730
h3 - Lifting Height	mm	4000	4800	5000	5500	6000
h4 - Height mast extended *	mm	4805	5605	5805	6305	6805
$\alpha / \beta$ - Mast inclination (front / rear)	°	6 / 12	6 / 6	6 / 6	3 / 6	3 / 6
Residual capacity without attachment (Industrial load chart)	kg	4000	4000	3800	3700	3600
Residual capacity with integrated side shift (Industrial load chart)	kg	4000	3900	3700	3600	3500
Residual capacity with hooked-on side shift (Industrial load chart)	kg	3800	3800	3700	3500	3400
Height at max capacity	mm	4000	4800	4000	4000	4000
Height at max capacity with integrated sideshift	mm	4000	4000	4000	4000	4000



Siège Social

430 rue de l'Aubinière - 44150 Ancenis Cedex - France

Tel: +33(0)2 40 09 10 11 - Fax: +33 (0)2 40 09 10 97

[www.manitou.com](http://www.manitou.com)



This brochure describes versions and configuration options for Manitou products which may be fitted with different equipment. The equipment described in this brochure may be standard, optional or not available depending on version. Manitou reserves the right to change the specifications shown and described at any time and without prior warning. The manufacturer is not liable for the specifications given. For more information, contact your Manitou dealer. Non-contractual document. Product descriptions may differ from actual products. List of specifications is not comprehensive. The logos and visual identity of the company are the property of Manitou and may not be used without authorisation. All rights reserved. The photos and diagrams contained in this brochure are provided for information only.

MANITOU BF SA - Limited company with board of directors - Share capital: 39,668,399 euros - 857 802 508 RCS Nantes