

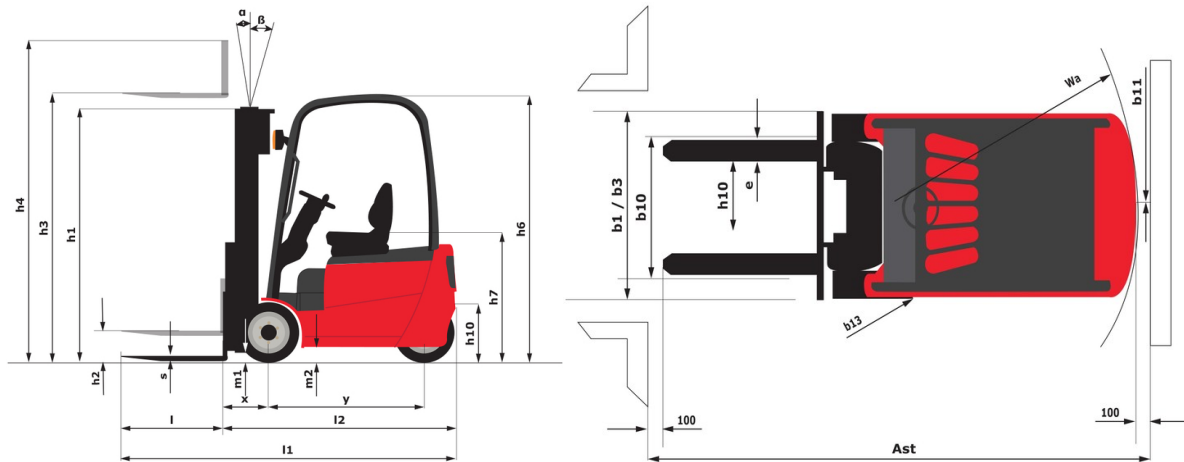
Technical sheet :

ME 435



	Technical characteristics		Metric
1.1	Manufacturer		Manitou
1.2	Model Name		ME 435
1.3	Power source		Electric
1.4	Operator type		Seated
1.5	Max. capacity	Q	3500 kg
1.6	Load centre of gravity	c	500 mm
1.8	Load distance, centre of drive axle to fork	x	445 mm
1.9	Wheelbase	y	1750 mm
	Weight		
2.1	Service weight		5550 kg
2.2	Weight on front axle (laden) / rear axle (laden)		8050 kg / 1000 kg
2.3	Weight on front axle (Unladen) / rear axle (Unladen)		2720 kg / 2830 kg
	Wheels		
3.1	Tyres type		PPS
3.2	Dimensions of front wheels		23 x 9-10
3.3	Dimensions of rear wheels		18 x 7-8
3.5	Number of front wheels / rear wheels		2 / 2
3.5.2	Number of drive wheels		2
3.6	Front wheel gauge	b10	1085 mm
3.7	Rear wheel gauge	b11	960 mm
	Dimensions		
4.1	Tilt of Mast Forward (deg) / Backward (deg)	α / β	15 / 15
4.12	Height of towing bar (coupling height)	h10	625 mm
4.19	Overall length	l1	3650 mm
4.20	Length to face of forks	l2	2500 mm
4.21	Overall width	b1	1315 mm
4.22	Forks section / width / length	s / e / l	50 mm x 122 mm / 1150 mm
4.23	Fork carriage ISO 2328 (class/form) A/B		3A
4.24	Fork carriage width	b3	1100 mm
4.31	Ground clearance below mast	m1	112 mm
4.32	Ground clearance at centre of wheelbase	m2	115 mm
4.33	Aisle Width for pallets 1000 x 1200 crossways	Ast	4045 mm
4.34	Aisle width for 800 x 1200 pallet lengthways	Ast	4245 mm
4.35	Turning radius	Wa	2400 mm
4.36	Internal turning radius (over tyres)	b13	730 mm
4.7	Height of overhead guard (cabin)	h6	2240 mm
4.8	Seat height/stand height	h7	1190 mm
	Performances		
5.1	Travel speed (laden / unladen)		19 km/h / 20 km/h
5.2	Lifting speed (laden / unladen)		0.39 m/s / 0.54 m/s
5.3	Lowering speed (laden / unladen)		0.47 m/s / 0.42 m/s
5.5	Drawbar pull (Laden / Unladen)		1690 daN / 1700 daN
5.7	Gradeability (laden / unladen)		12 % / 18 %
5.10	Service brake		Oil bath
	Engine		
6.1	Drive motor rating S2 60 min		18.50 kW
6.2	Lift motor rating at S3 15%		25.40 kW
6.3	Battery according to DIN 43531/35/36 A, B, C		DIN43536 A
6.4	Battery / Batteries capacity		80 V / 700 Ah
6.6	Energy consumption		12.50 kW/h
	Miscellaneous		
8.1	Type of drive control		Electronic
8.2	Working hydraulic pressure for attachments		210 Bar
8.3	Oil flow rate for attachments		65 l/min
8.4	Measured/guaranteed mean noise level at the ear of the operator		< 74 dB

ME 435 - Dimensional drawing



Characteristics of masts and residual capacities

Full Visibility Duplex		FVD 30	FVD 33	FVD 35	FVD 37	FVD 40	FVD 43	FVD 45	FVD 48	FVD 50
h2 - Free lift	mm	150	150	150	150	150	150	150	150	150
h1 - Height mast lowered *	mm	2235	2385	2485	2858	2835	2985	3085	3235	3335
h3 - Lifting Height	mm	3000	3300	3500	3700	4000	4300	4500	4800	5000
h4 - Height mast extended *	mm	3838	4138	4338	4538	4838	5138	5338	5638	5838
α / β - Mast inclination (front / rear)	°	5 / 8	5 / 8	5 / 8	5 / 8	5 / 8	5 / 5	5 / 5	5 / 5	5 / 5
Residual capacity without attachment (Industrial load chart)	kg	3500	3500	3500	3500	3500	3500	3500	3500	3400
Residual capacity with integrated side shift (Industrial load chart)	kg	3500	3500	3500	3500	3500	3500	3400	3350	3400
Residual capacity with hooked-on side shift (Industrial load chart)	kg	3500	3500	3500	3500	3500	3500	3400	3300	3200
Height at max capacity	mm	3000	3300	3500	3700	4000	4300	4500	4800	4000
Height at max capacity with integrated sideshift	mm	3000	3300	3500	3700	4000	4300	4000	4000	4000

Free Lift Duplex		FLD 30	FLD 33	FLD 37	FLD 40
h2 - Free lift	mm	1275	1425	1625	1825
h1 - Height mast lowered *	mm	2135	2285	2485	2685
h3 - Lifting Height	mm	3000	3300	3700	4000
h4 - Height mast extended *	mm	3860	4160	4560	4860
α / β - Mast inclination (front / rear)	°	5 / 8	5 / 8	5 / 8	5 / 8
Residual capacity without attachment (Industrial load chart)	kg	3500	3500	3500	3500
Residual capacity with integrated side shift (Industrial load chart)	kg	3500	3500	3500	3500
Residual capacity with hooked-on side shift (Industrial load chart)	kg	3500	3500	3500	3500
Height at max capacity	mm	3000	3300	3700	4000
Height at max capacity with integrated sideshift	mm	3000	3300	3700	4000

Free Lift Triplex		FLT 40	FLT 43	FLT 48	FLT 50	FLT 55	FLT 60
h2 - Free lift	mm	1275	1375	1575	1675	1875	2125
h1 - Height mast lowered *	mm	2135	2235	2435	2535	2735	2985
h3 - Lifting Height	mm	4000	4300	4800	5000	5500	6000
h4 - Height mast extended *	mm	4680	5160	5660	5860	6360	6860
α / β - Mast inclination (front / rear)	°	5 / 5	5 / 5	5 / 5	5 / 5	5 / 5	5 / 5
Residual capacity without attachment (Industrial load chart)	kg	3500	3400	3300	3200	3150	3000
Residual capacity with integrated side shift (Industrial load chart)	kg	3500	3350	3250	3200	3150	3000
Residual capacity with hooked-on side shift (Industrial load chart)	kg	3400	3250	3100	3050	3000	2850
Height at max capacity	mm	4000	4000	4000			
Height at max capacity with integrated sideshift	mm	4000					



Siège Social

430 rue de l'Aubinière - 44150 Ancenis Cedex - France

Tel: +33(0)2 40 09 10 11 - Fax: +33 (0)2 40 09 10 97

www.manitou.com



This brochure describes versions and configuration options for Manitou products which may be fitted with different equipment. The equipment described in this brochure may be standard, optional or not available depending on version. Manitou reserves the right to change the specifications shown and described at any time and without prior warning. The manufacturer is not liable for the specifications given. For more information, contact your Manitou dealer. Non-contractual document. Product descriptions may differ from actual products. List of specifications is not comprehensive. The logos and visual identity of the company are the property of Manitou and may not be used without authorisation. All rights reserved. The photos and diagrams contained in this brochure are provided for information only.

MANITOU BF SA - Limited company with board of directors - Share capital: 39,668,399 euros - 857 802 508 RCS Nantes