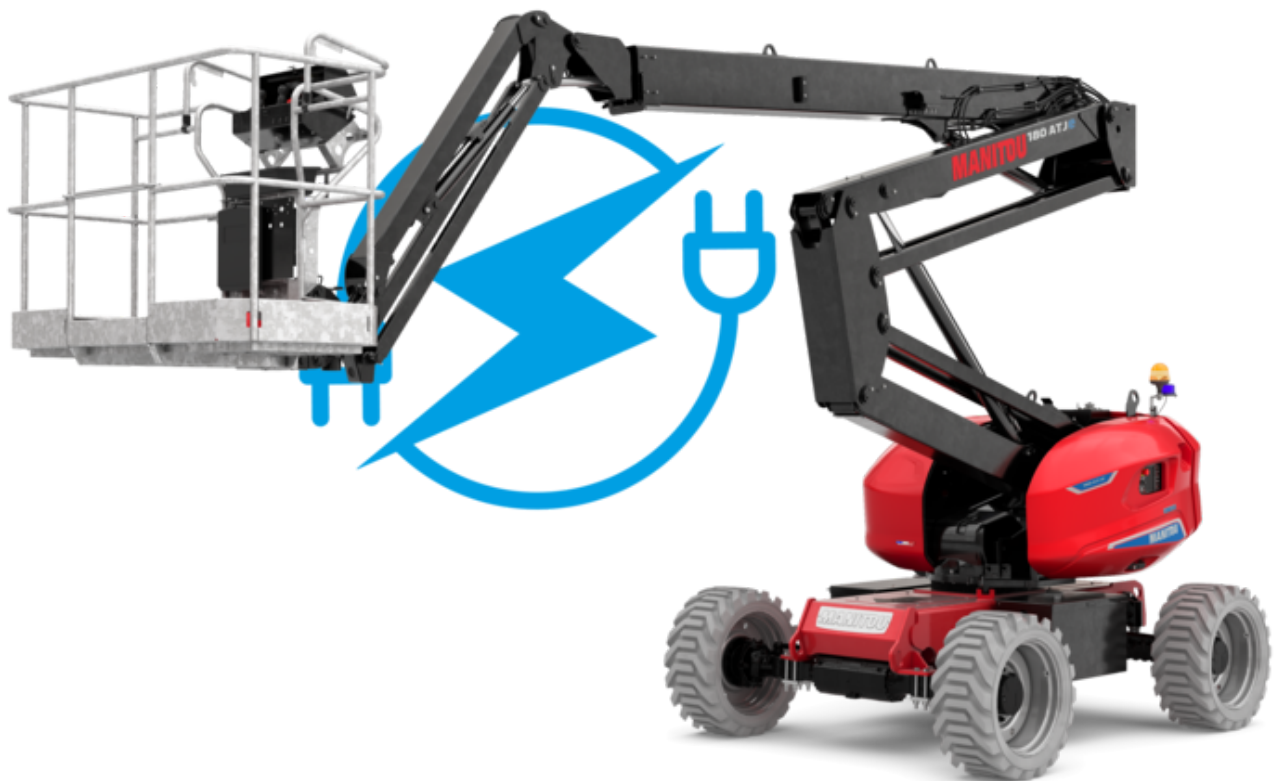


Technical sheet :

# 180 ATJ E



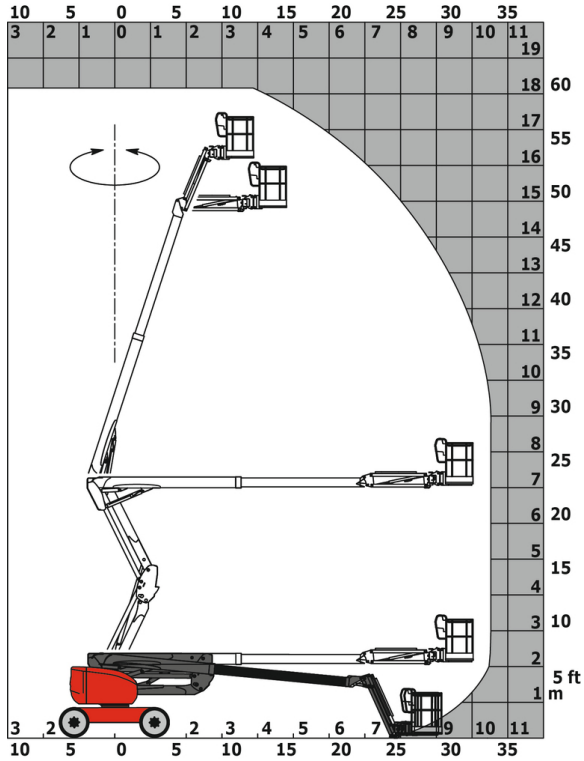
Capacities		Metric
Working height	h21	18.19 m
Platform height	h7	16.19 m
Max. outreach		10.33 m
Overhang		7.43 m
Pendular arm rotation (top / bottom)		+65 ° / -59.50 °
Platform capacity	Q	250 kg
Turret rotation		350 °
Platform rotation (right / left)		90 ° / 90 °
Number of people (inside / outside)		2 / 2
Weight and dimensions		
Platform weight*		7550 kg
Platform dimensions (length x width)	lp / ep	1.80 m x 0.80 m
Overall width	b1	2.32 m
Overall length	l1	7.61 m
Overall height	h17	2.48 m
Overall length (stowed)	l9	5.43 m
Overall height (stowed)	h18	2.52 m
Floor height (access)	h20	0.45 m
Counterweight offset (turret at 90°)	a7	0.40 m
Internal turning radius (over tyres)	b13	1.42 m
External turning radius	Wa3	3.75 m
Ground clearance at centre of wheelbase	m2	0.40 m
Wheelbase	y	2.30 m
Performances		
Drive speed - stowed		5 km/h
Drive speed - raised		1 km/h
Gradeability		45 %
Permissible leveling		5 °
Wheels		
Tyres type		Foam-filled
Drive wheels (front / rear)		2 / 2
Steering wheels (front / rear)		2 / 2
Braking wheels (front / rear)		0 / 2
Engine/Battery		
Battery / Batteries capacity		48 V / 480 Ah
Integrated charger (V / A)		48 V / 60 A
Miscellaneous		
Ground Pressure		10 dan/cm2
Hydraulic Pressure		240 bar
Hydraulic tank capacity		24 l
Vibration on hands/arms		< 0 m/s <sup>2</sup>
Standards compliance		
This machine is in compliance with:		European directives: 2006/42/EC- Machinery (revised EN280:2013) - 2004/108/EC (EMC) - 2006/95/EC (Low voltage)

\*Varies according to options and standards of the country to which the machine is delivered

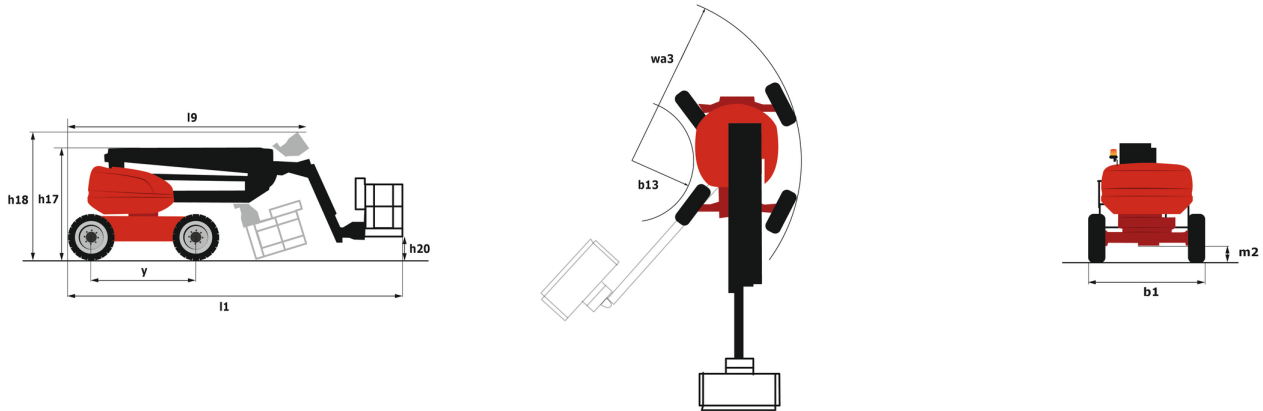
\*\* According to "REDUCE cycle"

# 180 ATJ e - Load chart

Load Chart for AWP Metric



# 180 ATJ e - Dimensional drawing



# Equipment

## Standard

220V predisposition in the platform  
4 simultaneous movements  
4 wheel drive  
4 wheel steer with crab mode  
Audible alarm and illuminated indicator lamp (leveling, overload, lowering)  
Backup electrical pump  
Basket 1,800 mm  
CAN bus technology  
Differential locking on rear axle  
Easy Link with 2 year Service  
Easy Manager  
Emergency stop button in platform and on frame  
Fully galvanized basket with demountable floor  
Hom in the platform  
Hour meter  
LED rotating beacon  
Large color screen on turret  
Leveling unlocking  
Load sensing pump  
Operator presence pedal  
Oscillating front axle  
Rear axle with limited slip differential  
SPS : Secondary protection system  
Screen information in the basket  
Simplified slinging without a spreader bar  
Slinging and securing rings  
Steer and rotate  
Turret orientation information

## Optional

Beep on every movement  
Beep upon travel  
Biodegradable hydraulic oil  
Biodegradable oil  
Continuous turret rotation  
Digicode anti-theft device  
Easy link with access control keypad  
Easy link with remote lock  
Electric centralized filling  
Fully galvanized basket 1800mm with lateral door  
Galvanized basket 2,100 mm  
Galvanized basket 2.100 mm with lateral door  
Key lock on turret cover  
Locking the telescope via parameterization  
Lynx cry beeper on movement  
Personalized paintwork  
Safety kit (Harness + helmet)  
Screen protector base  
Socket 230 V + differential circuit breaker  
Water heater  
Water predisposition



**Head Office**

B.P. 249 - 430 rue de l'Aubinière

44150 Ancenis Cedex - France

Tel: +33 (0)2 40 09 10 11 - Fax: +33 (0)2 40 09 10 97

[www.manitou.com](http://www.manitou.com)



This publication provides a description of the configuration versions and options for Manitou products, which may differ for equipment. The equipment presented in this brochure may be part of a series, as an option, or it may not be available, depending on the versions. Manitou reserves the right, at any time and without notice, to amend the specifications described and represented. The specifications provided do not bind the manufacturer. For more details, please contact your Manitou agent. This is not a contractually binding document. The presentation of the products is not contractually binding. List of specifications non-exhaustive. The logos as well as the visual identity of the company are owned by Manitou and cannot be used without authorisation. All rights reserved. The photos and diagrams contained in this brochure are only provided for consultation and information purposes.

MANITOU BF SA - Limited company with board of directors - Share capital: 39,668,399 euros - 857 802 508 RCS Nantes