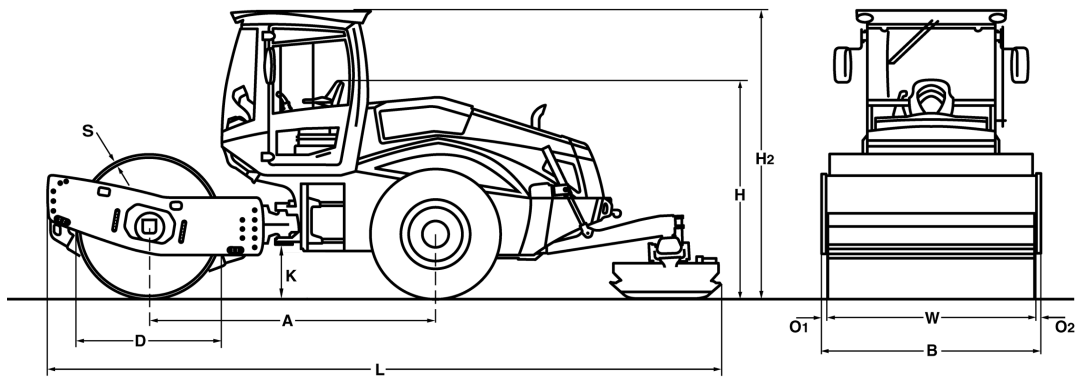


# TECHNICAL DATA

BOMAG VARIOCONTROL (BVC)

BW 213 DH+P-5, BW 213 BVC+P-5





**Dimensions in mm**

	<b>A</b>	<b>B</b>	<b>D</b>	<b>H</b>	<b>H2</b>	<b>K</b>	<b>L</b>	<b>O1</b>	<b>O2</b>	<b>S</b>	<b>W</b>
<b>BW 213 DH+P-5</b>	2975	2270	1500	2250	2990	490	7025	70	70	30	2130
<b>BW 213 BVC+P-5</b>	2975	2270	1500	2250	2990	490	7025	70	70	30	2130

**Shipping dimensions in m3**

**BW 213 DH+P-5**  
**BW 213 BVC+P-5**

**without ROPS**

35,880  
 35,880

**with ROPS**

47,681  
 47,681

<b>Machine type</b>	<b>Compaction output (m3/h)</b>			
	<b>Rock fill</b>	<b>Gravel, sand</b>	<b>Mixed soil</b>	<b>Silt, clay</b>
BW 213 DH+P-5	530-1060	360-720	270-540	180-360
BW 213 BVC+P-5	700-1400	480-960	360-720	210-420

<b>Machine type</b>	<b>Compacted layer thickness (m)</b>			
	<b>Rock fill</b>	<b>Gravel, sand</b>	<b>Mixed soil</b>	<b>Silt, clay</b>
BW 213 DH+P-5	0,90	0,65	0,50	0,25
BW 213 BVC+P-5	1,20	0,80	0,60	0,30

**Technical Data****BOMAG  
BW 213 DH+P-5****BOMAG  
BW 213 BVC+P-5****Weights**

Grossweight .....	kg	17.120	17.920
Operating weight CECE w. ROPS-cabin .....	kg	15.110	15.910
Axle load, drum CECE .....	kg	6.130	6.820
Axle load, wheels CECE .....	kg	8.980	9.090
Static linear load CECE .....	kg/cm	28,8	32,0

**Dimensions**

Working width .....	mm	2.130	2.130
Track radius, inner .....	mm	3.680	3.680

**Driving Characteristics**

Speed .....	km/h	0- 12,0	0- 12,0
Max. gradeability without/with vibr. ....	%	59/56	58/55

**Drive**

Engine manufacturer .....		Deutz	Deutz
Type .....		TCD 4.1 L4	TCD 4.1 L4
Emission stage .....		Stage V / TIER4f	Stage V / TIER4f
Exhaust gas aftertreatment .....		DOC+DPF+SCR	DOC+DPF+SCR
Cooling .....		Liquid	Liquid
Number of cylinders .....		4	4
Performance ISO 3046 .....	kW	115,0	115,0
Performance SAE J 1995 .....	hp	155,0	155,0
Speed .....	min-1	2.100	2.100
Fuel .....		Diesel	Diesel
Electric equipment .....	V	12	12
Drive system .....		hydrost.	hydrost.
Drum driven .....		standard	standard

**Drums and Tyres**

Tyre size .....		23.1-26 12PR	23.1-26 12PR
-----------------	--	--------------	--------------

**Brakes**

Service brake .....		hydrost.	hydrost.
Parking brake .....		hydromec.	hydromec.

**Steering**

Steering system .....		oscil.artic.	oscil.artic.
Steering method .....		hydrost.	hydrost.
Steering / oscillating angle +/- .....	grad	35/12	35/12

**Exciter system**

Drive system .....		hydrost.	hydrost.
Frequency (1) .....	Hz	30	28
Amplitude (1) .....	mm	2,10	0 - 2,25
Amplitude (2) .....	mm	1,10	
Centrifugal force .....	kN	285/194	365
Centrifugal force .....	t	29,1/19,8	37,2

**Exciter system Vibrating Plates**

Frequency .....	Hz	30-55	30-55
Centrifugal force max. ....	kN	22-75	22-75

**Capacities**

Fuel .....	l	220,0	220,0
------------	---	-------	-------

Technical modifications reserved. Machines may be shown with options.

### Standard Equipment

- BOMAG ECOMODE
- TERRAMETER (BVC)
- Oscillation mode
- Warning, information and operation displays with LCD
- Hydrostatic travel and vibration drive
- Hydrostatic articulated steering
- Articulated joint lock
- Rear axle with twin spring accumulator brakes
- Self locking differential
- Warning horn
- Single lever control for travel and vibration
- Seat with arm rest and adj. for position and height
- 2 Scrapers
- Emergency STOP
- Back-up alarm
- Working lights front / rear
- Double pump system for travel drive
- Loading mode
- Battery disconnect switch
- BOMAG TELEMATIC POWER
- Rearview camera

### Optional Equipment

- \* ROPS/FOPS cabin with seat belts (BVC)
  - Sliding window
- ROPS/FOPS with safety belt
- Air condition
- Rearview camera
- BOMAG ECOSTOP
- Padfoot segment kit
- Radio (Bluetooth)
- Indicator and hazard lights
- Special painting
- Rotary beacon
- Pre start cabin heating
- Environmentally compliant hydraulic oil
- TERRAMETER (DH)
- ECONOMIZER
- ROPS/FOPS cabin with seat belts (DH)
  - Sliding window
- Comfort package: Adjustable seat and adjustable steering column
- Measuring- and machine data interface for third-party suppliers
- LED Working lights (Cabin)
- Highly wear resistant drum
- Rock tyre
- Reversing alarm buzzer with broad band audio

\* Standard delivery with CE conformity  
(valid within European Union)

