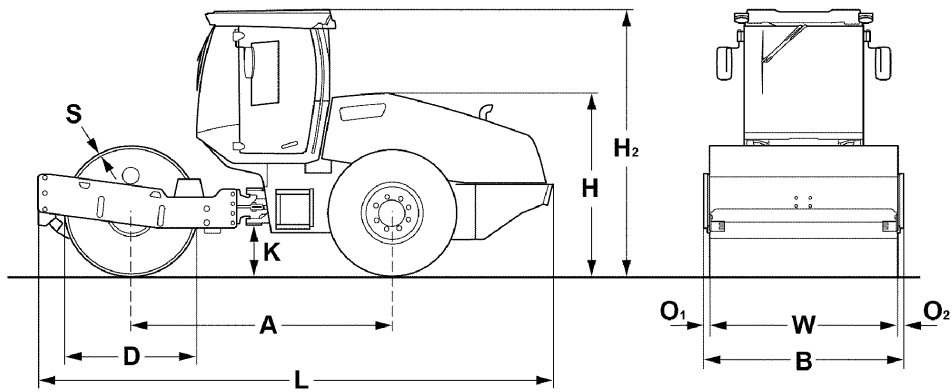


TECHNICAL DATA

SINGLE DRUM ROLLERS

BW 211 D-5 SL





Dimensions in mm

	A	B	D	H	H2	K	L	O1	O2	S	W
BW 211 D-5 SL	2975	2260	1500	2240	3053	530	5870	65	65	25	2130

Shipping dimensions in m3

BW 211 D-5 SL

without ROPS

29,716

with ROPS

40,502

Machine type	Compaction output (m3/h)			
	Rock fill	Gravel, sand	Mixed soil	Silt, clay
BW 211 D-5 SL	400-800	270-540	220-440	110-220

Machine type	Compacted layer thickness (m)			
	Rock fill	Gravel, sand	Mixed soil	Silt, clay
BW 211 D-5 SL	0,70	0,50	0,40	0,20

Technical Data

BOMAG BW 211 D-5 SL

Weights

Grossweight	kg	13.290
Operating weight	kg	10.120
Operating weight CECE w. ROPS-cabin	kg	10.630
Axle load, drum CECE	kg	6.040
Axle load, wheels CECE	kg	4.590
Static linear load CECE	kg/cm	28,4

Dimensions

Working width	mm	2.130
Track radius, inner	mm	3.677

Driving Characteristics

Speed (1)	km/h	0- 6,0
Speed (2)	km/h	0- 10,0
Max. gradeability without/with vibr.	%	45/43

Drive

Engine manufacturer		Cummins
Type		F3.8
Emission stage		Stage V / TIER4f
Cooling		water
Number of cylinders		4
Performance ISO 3046	kW	100,0
Performance SAE J 1995	hp	134,0
Speed	min-1	2.200
Fuel		Diesel
Electric equipment	V	12
Drive system		hydrost.
Drum driven		standard

Drums and Tyres

Tyre size		23.1-26/12PR
-----------------	--	--------------

Brakes

Service brake		hydrost.
Parking brake		hydromec.

Steering

Steering system		oscil.artic.
Steering method		hydrost.
Steering / oscillating angle +/-	grad	35/12

Exciter system

Drive system		hydrost.
Frequency	Hz	30/36
Amplitude	mm	1,80/0,95
Centrifugal force	kN	236/170
Centrifugal force	t	24,1/17,3

Capacities

Fuel	l	250,0
------------	---	-------

Technical modifications reserved. Machines may be shown with options.

Standard Equipment

- Self locking differential
- Rear axle with twin spring accumulator brakes
- Hydrostatic travel and vibration drive
- Hydrostatic articulated steering
- Articulated joint lock
- Battery disconnect switch
- Single lever control for travel and vibration
- Warning, information and operation displays with LCD
- Emergency STOP
- Back-up alarm
- 1 Scrapers
- Operator seat
- Warning horn

Optional Equipment

- ROPS/FOPS cabin with seat belts
- ROPS/FOPS with safety belt
- Air condition
- Rotary beacon
- Indicator and hazard lights
- ECONOMIZER
- TERRAMETER
- BOMAG TELEMATIC START
- Padfoot segment kit
- Measuring- and machine data interface for third-party suppliers
- Comfort driver's seat
- Contact scrapers (2x)
- BOMAP
- Tablet holder set
- BOMAP GPS antenna set
- BOMAP GPS antenna holder

