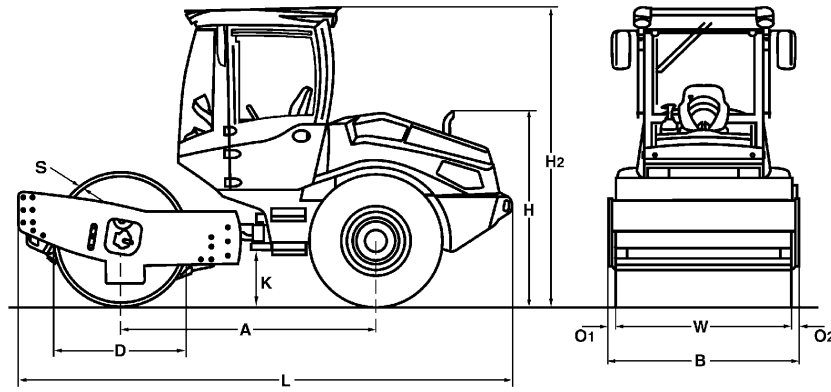


TECHNICAL DATA

SINGLE DRUM ROLLERS

BW 145 D-5, BW 145 DH-5, BW 145 PDH-5





Dimensions in mm

| | A | B | D | H | H2 | K | L | O1 | O1 | S | W |
|---------------------|----------|----------|----------|----------|-----------|----------|----------|-----------|-----------|----------|----------|
| BW 145 D-5 | 2250 | 1560 | 1060 | 1570 | 2720 | 320 | 4370 | 65 | 65 | 20 | 1430 |
| BW 145 DH-5 | 2250 | 1560 | 1060 | 1570 | 2720 | 320 | 4370 | 65 | 65 | 20 | 1430 |
| BW 145 PDH-5 | 2250 | 1560 | 1045 | 1570 | 2720 | 320 | 4370 | 65 | 65 | 15 | 1430 |

Shipping dimensions in m3

BW 145 D-5
BW 145 DH-5
BW 145 PDH-5

without ROPS

10,703
 10,703
 10,703

with ROPS

18,543
 18,543
 18,543

| Machine type | Compaction output (m3/h) | | | |
|---------------------|---------------------------------|---------------------|-------------------|-------------------|
| | Rock fill | Gravel, sand | Mixed soil | Silt, clay |
| BW 145 D-5 | - | 160-320 | 120-240 | 60-120 |
| BW 145 DH-5 | - | 160-320 | 120-240 | 60-120 |
| BW 145 PDH-5 | - | 160-320 | 120-240 | 80-160 |

| Machine type | Compacted layer thickness (m) | | | |
|---------------------|--------------------------------------|---------------------|-------------------|-------------------|
| | Rock fill | Gravel, sand | Mixed soil | Silt, clay |
| BW 145 D-5 | - | 0,40 | 0,30 | 0,15 |
| BW 145 DH-5 | - | 0,40 | 0,30 | 0,15 |
| BW 145 PDH-5 | - | 0,40 | 0,30 | 0,20 |

Technical Data**BOMAG
BW 145 D-5****BOMAG
BW 145 DH-5****BOMAG
BW 145 PDH-5****Weights**

| | | | | |
|-------------------------------------|-------|-------|-------|-------|
| Grossweight | kg | 5.600 | 6.000 | 5.600 |
| Operating weight CECE w. ROPS-cabin | kg | 4.750 | 4.820 | 5.070 |
| Axle load, drum CECE | kg | 2.490 | 2.520 | 2.770 |
| Axle load, wheels CECE | kg | 2.260 | 2.300 | 2.300 |
| Static linear load CECE | kg/cm | 17,4 | 17,6 | |

Dimensions

| | | | | |
|---------------------------|----|-------|-------|-------|
| Working width | mm | 1.430 | 1.430 | 1.430 |
| Track radius, inner | mm | 2.890 | 2.890 | 2.890 |

Driving Characteristics

| | | | | |
|---|------|--------|---------|---------|
| Speed (1) | km/h | 0- 4,0 | 0- 10,0 | 0- 10,0 |
| Speed (2) | km/h | 0- 4,5 | | |
| Speed (3) | km/h | 0- 6,5 | | |
| Speed (4) | km/h | 0- 9,0 | | |
| Max. gradeability without/with vibr. | % | 51/48 | 64/59 | 64/59 |

Drive

| | | | | |
|----------------------------------|-------|------------------|------------------|------------------|
| Engine manufacturer | | Kubota | Kubota | Kubota |
| Type | | V3307 CR-T | V3307 CR-T | V3307 CR-T |
| Emission stage | | Stage V / TIER4f | Stage V / TIER4f | Stage V / TIER4f |
| Exhaust gas aftertreatment | | DOC+DPF | DOC+DPF | DOC+DPF |
| Cooling | | Liquid | Liquid | Liquid |
| Number of cylinders | | 4 | 4 | 4 |
| Performance ISO 3046 | kW | 55,4 | 55,4 | 55,4 |
| Performance SAE J 1995 | hp | 75,0 | 75,0 | 75,0 |
| Speed | min-1 | 2.400 | 2.400 | 2.400 |
| Fuel | | Diesel | Diesel | Diesel |
| Electric equipment | V | 12 | 12 | 12 |
| Drive system | | hydrost. | hydrost. | hydrost. |
| Drum driven | | standard | standard | standard |

Drums and Tyres

| | | | | |
|-----------------|--|--------------|--------------|-------------|
| Tyre size | | 12.5-20 12PR | 12.5-20 12PR | 12.4-24/8PR |
|-----------------|--|--------------|--------------|-------------|

Brakes

| | | | | |
|---------------------|--|-----------|-----------|-----------|
| Service brake | | hydrost. | hydrost. | hydrost. |
| Parking brake | | hydromec. | hydromec. | hydromec. |

Steering

| | | | | |
|--|------|--------------|--------------|--------------|
| Steering system | | oscil.artic. | oscil.artic. | oscil.artic. |
| Steering method | | hydrost. | hydrost. | hydrost. |
| Steering / oscillating angle +/- | grad | 35/12 | 35/12 | 35/12 |

Exciter system

| | | | | |
|-------------------------|----|-----------|-----------|-----------|
| Drive system | | hydrost. | hydrost. | hydrost. |
| Frequency | Hz | 31/35 | 31/35 | 31/35 |
| Amplitude | mm | 1,70/0,80 | 1,70/0,80 | 1,45/0,70 |
| Centrifugal force | kN | 80/56 | 80/56 | 80/56 |
| Centrifugal force | t | 8,2/5,7 | 8,2/5,7 | 8,2/5,7 |

Capacities

| | | | | |
|------------|---|-------|-------|-------|
| Fuel | l | 110,0 | 110,0 | 110,0 |
|------------|---|-------|-------|-------|

Technical modifications reserved. Machines may be shown with options.

Standard Equipment

- BOMAG ECOMODE
- Double pump system for travel drive (DH/PDH)
- Self locking differential
- Rear axle with twin spring accumulator brakes
- Hydrostatic travel and vibration drive
- Hydrostatic articulated steering
- Articulated joint lock
- Warning, information and operation displays
- Single lever control for travel and vibration
- Emergency STOP
- Warning horn
- Back-up warning system
- 1 Scrapers (D/DH)
- 2 Scrapers (PDH)
- Tractor tires (PDH)

Optional Equipment

- * ROPS cabin with seat belts
- ROPS/FOPS with safety belt
- Indicator and hazard lights
- Rotary beacon
- Rearview camera
- Air condition
- Sliding window
- Radio (Bluetooth)
- BOMAG ECOSTOP
- ECONOMIZER
- TERRAMETER
- Printer for TERRAMETER
- BOMAG TELEMATIC
- Special painting
- Reversing alarm buzzer with broad band audio
- Padfoot segment kit (D/DH)
- 2 Contact scrapers (D/DH)
- Dozer blade (DH/PDH)
- Environmentally compliant hydraulic oil
- Tractor tires (D/DH)
- LED Working lights (Cabin)
- Comfort package
- * Standard delivery with CE conformity (valid within European Union)

