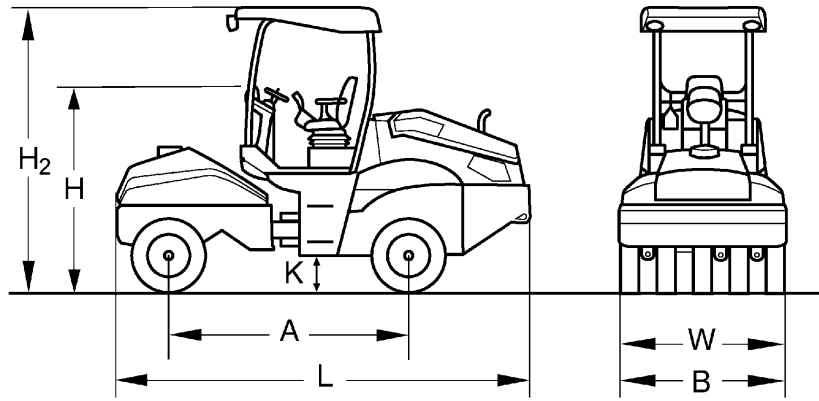


# TECHNICAL DATA

PNEUMATIC TYRED ROLLERS

BW 11 RH-5





**Dimensions in mm**

	<b>A</b>	<b>B</b>	<b>H</b>	<b>H<sub>2</sub></b>	<b>K</b>	<b>L</b>	<b>W</b>
<b>BW 11 RH-5</b>	2500	1920	2085	2870	380	4430	1727

**Shipping dimensions in m<sup>3</sup>**

**BW 11 RH-5**

**without ROPS**

17,734

**with ROPS**

24,411

<b>Machine type</b>	<b>Compaction output (t/h) at different asphalt layer thicknesses</b>		
	<b>2-4 cm</b>	<b>6-8 cm</b>	<b>10-12 cm</b>
BW 11 RH-5	90-180	270-360	450-540

## Technical Data

## BOMAG BW 11 RH-5

### Weights

Operating weight w. ROPS CECE .....	kg	5.200
Operating weight CECE w. ROPS-cabin .....	kg	5.400
Grossweight .....	kg	11.000
Max. middle wheel load CECE .....	kg	1.222

### Dimensions

Track radius, inner .....	mm	3.100
---------------------------	----	-------

### Driving Characteristics

Speed (1) .....	km/h	12,0
Speed (2) .....	km/h	16,0
Speed (3) .....	km/h	20,0
Max. gradeability (dep. on soil con.) .....	%	20

### Drive

Engine manufacturer .....		Kubota
Type .....		V3307 CR-T
Emission stage .....		StageV / TIER4f
Exhaust gas aftertreatment .....		DPF
Cooling .....		Liquid
Number of cylinders .....		4
Performance ISO 14396 .....	kW	55,4
Performance SAE J 1995 .....	hp	74,0
Electric equipment .....	V	12
Drive system .....		hydrost.
Driven axles .....		rear

### Tyres

Tyre size .....		7.50x15 14PL
Wheel track overlap .....	mm	> 20,0
Number of tyres, front / rear .....		5/4

### Steering

Steering system .....		oscil.artic.
Steering method .....		hydrost.
Steering angle +/- .....	grad	35
Oscillating angle +/- .....	grad	10
Oscillation of tyres, front .....	grad	5

### Capacities

Fuel .....	l	200,0
Water .....	l	530,0

Technical modifications reserved. Machines may be shown with options.

### Standard Equipment

- Operator's platform with:
  - + Steering wheel
  - + Travel lever
  - + Operator seat
- Control panel for
  - Engine oil pressure
  - Engine temperature
  - Air filter vacuum
  - Hydraulic oil filter
  - Coolant level
  - fuel tank capacity
- Hour meter
- Warning horn
- Lockable anti vandal dashboard protection
- Back-up alarm

### Optional Equipment

- \* ROPS/FOPS with safety belt
- \* ROPS-cabin with heating
- \* ROPS cabin with air conditioning
- Radio
- Swivel seat (+40°/-10°)
- Indicator and hazard lights
- Rotary beacon
- Additional lighting for cabin
- Pointer
- Pressure sprinkler system/Scrapers
- Spraying system for scraper, coco fibre
- Spraying system for scraper, brush
- Central tyre inflating system
- Thermal aprons
- Brake release device
- Backup warning buzzer with broadband technology
- Special painting
- Additional weight
  - 7t Grossweight
  - 9t Grossweight
  - 11t Grossweight
- TELEMATIC

\* Standard delivery with CE conformity  
(valid within European Union)

