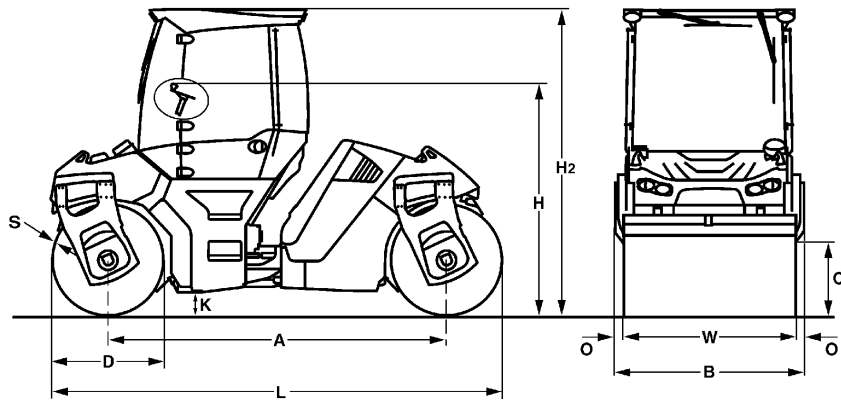


TECHNICAL DATA

TANDEM ROLLER

BW 191 AD-5 AM, BW 206 AD-5 AM





Dimensions in mm

	A	B	C	D	H	H2	K	L	O	S1	S2	W
BW 191 AD-5 AM	3900	2178	760	1400	2364	3098	250	5300	89	22	19	2000
BW 206 AD-5 AM	3900	2313	760	1400	2364	3098	250	5300	89	22	19	2135

Shipping dimensions in m3

BW 191 AD-5 AM
 BW 206 AD-5 AM

without ROPS

27,289
 28,980

with ROPS

35,761
 37,978

Machine type	Compaction output (m3/h) at recommended soil layer thicknesses		
	Gravel, sand	Mixed soil	Silt, clay
BW 191 AD-5 AM	180-340	150-280	110-180
BW 206 AD-5 AM	180-340	150-280	110-180

Machine type	Compaction output (t/h) at different asphalt layer thicknesses		
	2-4 cm	6-8 cm	10-14 cm
BW 191 AD-5 AM	60-130	100-230	160-280
BW 206 AD-5 AM	60-130	100-230	160-280

Technical Data**BOMAG
BW 191 AD-5 AM****BOMAG
BW 206 AD-5 AM****Weights**

Operating weight CECE w. ROPS-cabin	kg	13.900	14.500
Grossweight	kg	15.000	16.000
Axle load, front CECE	kg	7.050	7.350
Axle load, rear CECE	kg	6.850	7.150
Static linear load, front CECE	kg/cm	35,3	34,4
Static linear load, rear CECE	kg/cm	34,3	33,5

Dimensions

Track radius, inner	mm	5.190	5.117
Length (without towing hitch)	mm	5.300	5.300

Driving Characteristics

Max. travel speed	km/h	0- 12,0	0- 12,0
Max. gradeability without/with vibr.	%	35/30	35/30

Drive

Engine manufacturer		Deutz	Deutz
Type		TCD 4.1 L04	TCD 4.1 L04
Emission stage		Stage V / TIER4f	Stage V / TIER4f
Exhaust gas aftertreatment		DPF+SCR	DPF+SCR
Cooling		Liquid	Liquid
Number of cylinders		4	4
Performance ISO 14396	kW	105,0	105,0
Performance SAE J 1995	hp	141,0	141,0
Speed	min-1	2.300	2.300

Brakes

Service brake		hydrost.	hydrost.
Parking brake		multi disc	multi disc

Steering

Steering system		oscil.artic.	oscil.artic.
-----------------------	--	--------------	--------------

Exciter system

Vibrating drum		front + rear	front + rear
Autom. vibr. shut off		standard	standard
Frequency	Hz	46/45	46/45
Amplitude	mm	0,94/0,44	0,92/0,42
Centrifugal force	kN	163/75	163/75
Centrifugal force	t	16,6/7,6	16,6/7,6

Vario system

ASPHALT MANAGER		front	front
Frequency	Hz	46	46
Amplitude directed		autom./variable	autom./variable
Amplitude	mm	0- 0,87	0- 0,85
Centifugal force	kN	120	120
Centifugal force	t	12,2	12,2

Capacities

Fuel	l	165,0	165,0
Water	l	970,0	970,0

Technical modifications reserved. Machines may be shown with options.

Standard Equipment

- ASPHALT MANAGER 2
- Highly wear resistant AM drum
- Oscillation mode
- 2 amplitudes / 2 frequencies rear
- ECOMODE
- Autom. vibration operation
- Individual vibration control
- Swivel seat with integrated electronic steering wheel
- Emergency stop button
- V-belt protection
- Pressure sprinkling system with 2 pumps
- Indicator and hazard lights
- Back-up alarm
- Battery disconnect switch
- Compartments for documents and tools
- BOMAG OPERATION PANEL (BOP)
- EVIB-Control panel
- Asphalt temperature display

Optional Equipment

- ROPS cabin with seat belts
 - + heating, Ventilation
 - + 4 Working head lights
- ROPS cabin with air conditioning
- Rotary beacon
- Crab-walk to both sides (170mm)
- 2 LED-lights for cabin roof (flatbeam)
- Edge cutter
- Special painting
- Environmentally compliant hydraulic oil
- Radio/Radio preparation
- Printer for ASPHALT MANAGER 2
- Lighting for drum edge front and rear
- Seat heating
- Approval by the German TÜV
- BOMAG TELEMATIC POWER
- Outside mirrors
- BOMAP compaction navigation with GPS

