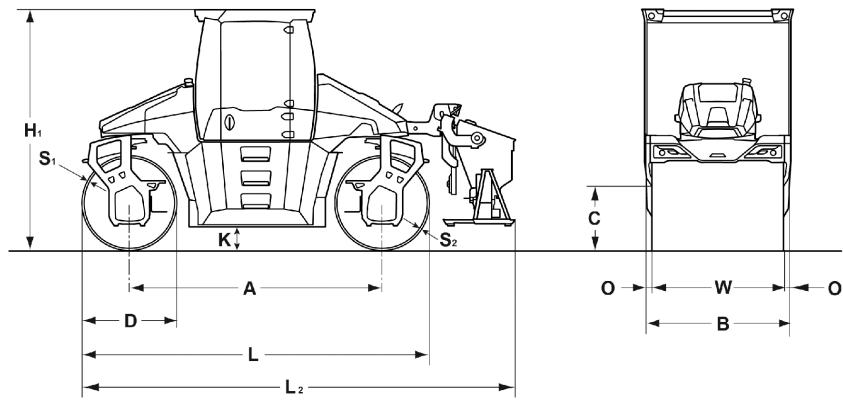


# TECHNICAL DATA

HYBRID - ASPHALT MANAGER 2

BW 174 HYBRID





**Dimensions in mm**

	<b>A</b>	<b>B</b>	<b>C</b>	<b>D</b>	<b>H1</b>	<b>K</b>	<b>L</b>	<b>L2</b>	<b>O</b>	<b>S1</b>	<b>S2</b>	<b>W</b>
<b>BW 174 HYBRID</b>	3220	1860	780	1200	3050	280	4420	5520	90	19	17	1680

**Shipping dimensions in m3**

**BW 174 HYBRID**

**with cabin**

25,075

<b>Machine type</b>	<b>Compaction output (t/h) at different asphalt layer thicknesses</b>		
	<b>2-4</b>	<b>6-8 cm</b>	<b>10-14 cm</b>
BW 174 HYBRID	60-120	110-210	190-300

## Technical Data

## BOMAG BW 174 HYBRID

### Weights

Operating weight CECE w. ROPS-cabin .....	kg	9.700
Axle load, front / rear CECE .....	kg	4.900/4.800
Static linear load, front / rear CECE .....	kg/cm	29,2/28,6
Max. weight .....	kg	10.900

### Dimensions

Track radius, inner .....	mm	2.946
---------------------------	----	-------

### Driving Characteristics

Speed .....	km/h	0- 11,0
-------------	------	---------

### Drive

Engine manufacturer .....		Kubota
Type .....		V3307 -T
Emission stage .....		Stage V / TIER4f
Exhaust gas aftertreatment .....		DOC+DPF
Cooling .....		Liquid
Number of cylinders .....		4
Performance ISO 14396 .....	kW	55,4
Performance SAE J 1995 .....	hp	74,2
Performance HYBRID .....	kW	20,0
System performance .....	kW	75,4
Speed .....	min-1	2.400
Split drum .....		front + rear

### Brakes

Service brake .....		hydrost.
Parking brake .....		mech.

### Steering

Steering system .....		2-p. pivoted
Lateral displacement right/left .....	mm	1.360

### Exciter system

Amplitude .....	mm	0,51/0,23
Frequency .....	Hz	47/47
Centrifugal force .....	kN	85/37

### Vario system

Frequency .....	Hz	47
Amplitude directed (hor./vert.) .....	mm	0- 0,83
Centifugal force .....	kN	159

### Capacities

Fuel .....	l	180,0
Water .....	l	680,0

Technical modifications reserved. Machines may be shown with options.

### Standard Equipment

- ECOMODE
- ASPHALT MANAGER
- Oscillation mode
- Highly wear resistant AM drum
- Water-saving pressure sprinklers
- 10" Touchscreen
- 1 Directed exciter, front
- 1 Rotary exciter, rear
- Individual vibration control
- 4 spring-loaded hinged scrapers
- Autom. vibration operation
- Indicator and hazard lights
- ROPS cabin with seat belts  
+ heating
- 2 Outside mirrors
- Steering method/Operator's seat sliding /  
rotatable (270°)
- Steering with comfort control  
- 5 Steering modes
- Back-up alarm
- Brake release device
- Split drums
- Emergency STOP

### Optional Equipment

- Edge cutter
- Rotary beacon
- Special paint
- Environmentally compliant hydraulic oil
- Tool kit
- Precision spreader
- Precision spreader laterally slidable
- Automatic air conditioning
- Radio/Radio preparation
- LED lighting package
  - additional lateral lighting for cabin
  - Follow-me-home function
  - Lighting for drum edge
  - 2x 12V sockets in supports
- Backup warning buzzer with broadband  
technology
- Additional outside mirrors
- Air-suspended comfort seat
- BOMAG TELEMATIC POWER
- BOMAP compaction navigation with GPS
- JOBLINK measuring technology interface
- BOMAP GPS antenna set
- BOMAP GPS antenna holder
- ECOSTOP

