

# PERFORMANCE DATA

PAVER (STAGE V)

BF 800 C-3



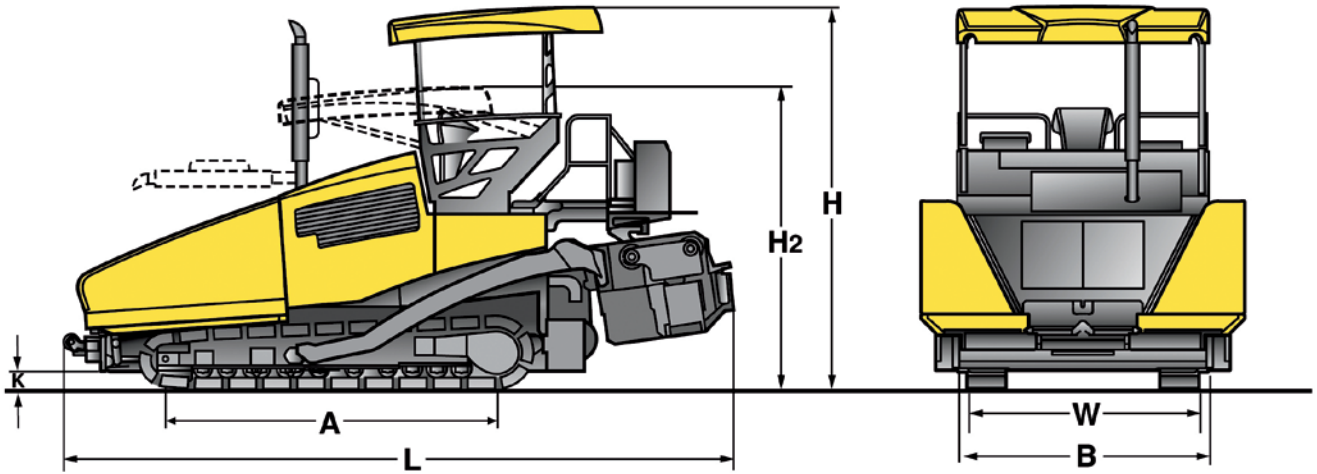
Greatest durability



Shorter set-up times



Exemplary efficiency



**Dimensions in mm**

	<b>A</b>	<b>B</b>	<b>H</b>	<b>H<sub>2</sub></b>	<b>L</b>	<b>W</b>
<b>BF 800 C-3 S500</b>	3360	2550	3865	3055	6800	2226
<b>BF 800 C-3 S600</b>	3360	3000	3865	3055	6800	2226



Save up to 17 % fuel – demand-driven hydraulics – with BOMAG ECOMODE.



Full control from the side. The integrated levelling controller and automatic inclination ensure perfect quality.



The new control centre. The intuitive operator interface not only provides all the necessary information, but also supports the operator with assistance functions.



The right position in any situation – the comfortable driver's cab with swivel seat concept.

## Technical Data

## BOMAG BF 800 C-3

### Weight CECE

With S 500 screed / with S 600 screed ..... kg 23000 / 23500

### Dimensions

Transport length ..... mm 6800  
Transport width ..... mm 2550 / 3000  
Transport height ..... mm 3020

### Travel characteristics

Travel speed (1) ..... km/h 0-4  
Working speed (1) ..... m/min 0-25

### Drive

Engine manufacturer ..... DEUTZ  
Type ..... TCD 6.1 L06  
Exhaust classification ..... Stage V / TIER 4f  
Cooling ..... liquid  
Number of cylinders ..... 6  
Rated power ISO 3046 ..... kW 140  
Speed ..... min<sup>-1</sup> 2000

### Crawler assembly

Crawler track .....  
-Axle base ..... mm 3360  
-Width ..... mm 300

### Hopper

Capacity ..... m<sup>3</sup> 7,2  
Width (wings open) ..... mm 3390  
Width (wings closed) ..... mm 2463  
Length ..... mm 2186  
Filling height (middle) ..... mm 560

### Scraper belt

Number ..... 2  
Width ..... mm 400  
Speed ..... min<sup>-1</sup> 64  
Individual control ..... Serie  
Reversing operation ..... Serie

### Conveyor auger

->Number ..... 2  
->Auger diameter ..... mm 400  
->Rotary speed ..... min<sup>-1</sup> 104  
->Reversing operation ..... Serie

### Screed

Screed type ..... S 500 / S 600  
Screed type ..... S 500 / S 600  
Basic width retracted ..... mm 2550 / 3000  
Basic width extended ..... mm 5000 / 6000  
Max. working width ..... mm 9000 / 10000  
min. width with reduction skids ..... mm 1650 / 2100  
Mat thickness ..... mm 300  
Smoothing plate depth ..... mm 400  
Smoothing plate thickness ..... mm 15  
Heating ..... Electric  
Crown ..... % -2,5 ... +4,5  
Tamper frequency ..... Hz 0-29  
Vibration frequency ..... Hz 20-58  
Basic weight ..... kg 4400 / 4900

### Filling capacities

Fuel ..... l 315  
Hydraulic oil ..... l 160

## Standard Equipment

### Operator compartment

- SIDEVIEW
- Driver's seat: with swivel and side-shift
- Dashboard protection
- Hydraulic hinged roof
- A-PAVE operating concept
- Intuitive operation through display
- Electronic machine management

### Tractor

- ECOMODE
- Separate control of hopper wings
- Cleaning kit
- Hydraulic, height adjustable auger
- Track scraper
- 2 proportionally controlled and reversible wear-resistant cast augers, screw blades separately replaceable
- 2 independent and reversible scraper belts, high-wear resistant plates
- Rubber track pads

### Screed

- L.C.S. Screed relief and traction increase system
- Screed temperature control
- MAGMALIFE Aluminium heating plates
- MAGMALIFE Automatic screed heating
- Hydraulic screed lock
- Crown adjustment
- Side control of auger/scraper belts
- Electronic side-mounted driver's stand with display
  - Crown profile and automatic inclination
  - Integrated levelling controller
  - Material calculator

### Other

- Tools
- 8 work lights
- 30 kVA generator
- Socket 2 x 230 volt

## Optional Equipment

### Operator compartment

- Hydraulic/electric movable SIDEVIEW platform
- Windscreened platform
- Lateral Weather protection
- Comfort seat
- Seat heating
- Asphalt steam extraction
- Advanced operating concept

### Tractor

- LED roof working lights
- Central lubrication system
- Optional paint finish
- Biologically degradable hydraulic oil
- Hydraulic hopper front flap
- Dampened push rollers
- Ultrasonic sensors for conveyor belt control

### Screed

- Hydraulic sideplates
- Hydraulic crown adjustment
- Hinged side plates
- Heated side plates
  - S 500 + S 600 extensions:  
250 mm, 750 mm, 1250 mm
- Dosing plates
- Reduction shoes
- Edge shaper 45°/60°

### Levelling systems

- Height and cross-slope sensing by means of ultrasonic or mechanical sensors

### Other

- Fleet management BOMAG TELEMATIC
- Ballon light
- Joblink data interface
- Truck Dock, stop light system for communication with the truck

